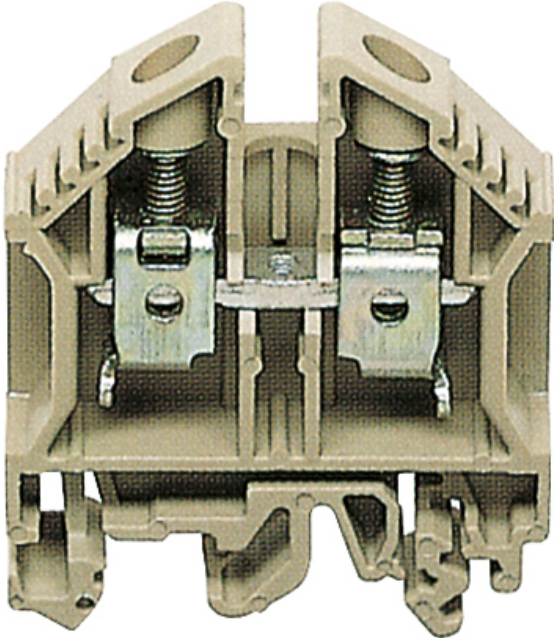


Terminal block

RK 10²/bl



RK 10²/bl

Terminal block

Productnumber: 67110001

Dimensions: 8 x 48 x 47 mm

RK 10² feed-through terminal for NS35, connection cross-section rigid/flexible 0.2-10²/0.2-10²

Standard terminal, blue, width: 8mm

Technical Data

Dimensions

Width:	8 mm
Length:	48 mm
Height:	47 mm

Material characteristics

Industry quality:	no
-------------------	----

Material

Insulating body material:	Thermoplastic
---------------------------	---------------